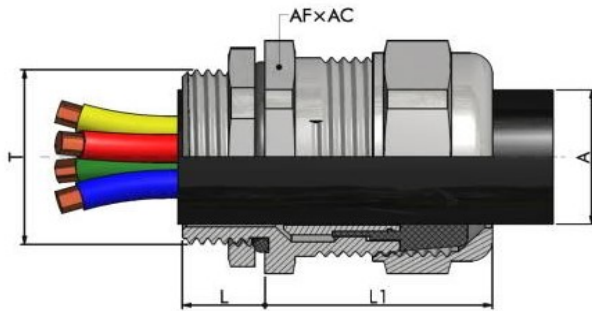


EMC Glands for Unarmoured VSD Cable IP68 Gland with Long Thread

For indoor and outdoor glanding of unarmoured Variable Speed Drive (VSD) circular cables with Foil and Braid screening.

Size	: 8mm to 63mm	Material	: Brass Nickle Plated
Function	: Excellent shield contact through the contact sleeve with the braided shield terminating in the screwed cable gland	Thread	: Long Type Metric
Ingress Protection	: IP68 as per EN 60529.	Features	: Outer Displacement Seal
Operating Temp.	: -35°C to +120°C	Seal Material	: Nitrile Black Rubber
		O-Ring Material	: NBR



Maser Gland Code	Gland Size Metric	Size "T"	Min. Cable Dia(mm) "A"	Max. Cable Dia(mm) "A"	(AF)	(AC)	Thread Length (L)	Uncompressed Thread Length (L1)
MM-EMC-M25S (13.0-16.0)	M25S	M25x1.5	13.0	16.0	30.00	33.00	11.00	30.00
MM-EMC-M25L (16.0-19.0)	M25L	M25x1.5	16.0	19.0	30.00	33.00	11.00	33.00
MM-EMC-M32S (18.0-21.0)	M32S	M32x1.5	18.0	21.0	36.00	39.20	13.00	32.00
MM-EMC-M32L (21.0-25.0)	M32L	M32x1.5	21.0	25.0	36.00	39.20	13.00	32.00
MM-EMC-M40S (24.0-28.5)	M40S	M40x1.5	24.0	28.5	46.00	50.60	13.00	34.00
MM-EMC-M40L (28.5-32.0)	M40L	M40x1.5	28.5	32.0	46.00	50.60	13.00	34.00

Disclaimer: Although Maser Communications NZ Limited makes every reasonable effort to ensure their accuracy at the time of this publication, information and specifications described herein are subject to error or omission and to change without notice. Maser provides the information and specifications herein on an "AS IS" basis, with no representations or warranties, whether express, statutory or implied. In no event will Maser be liable for any damages (including consequential, indirect, incidental, special, punitive, or exemplary damages) whatsoever, even if Maser has been advised of the possibility of such damages, whether in an action under contract, negligence or any other theory, arising out of or in connection with the use, or inability to use, the information or specifications described herein.