

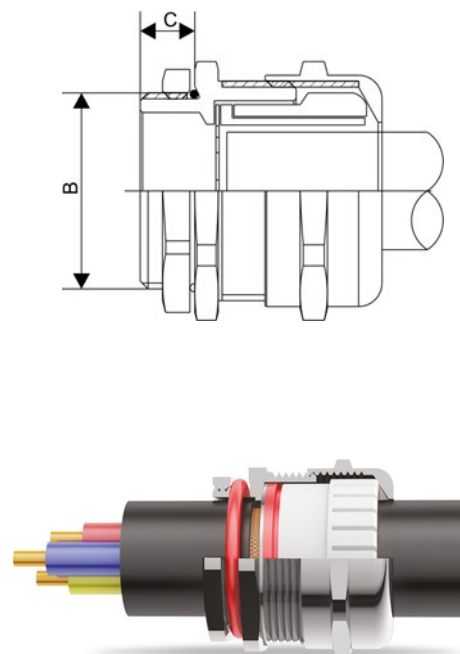
EMC Glands for Unarmoured VSD Cable IP68 Gland with Long Thread c/w Contact ring for excellent shield contact

For indoor and outdoor glanding of unarmoured Variable Speed Drive (VSD) circular cables with Foil and Braid screening .

Nickel Plated Brass / Metric Thread / Locknut / IP68 (with seal) / Displacement Seal
 Temperature: Standard seal (Nitrile) -20°C to +90°C. On request (Silicone) -60°C to +180°C
 Accessories: PVC/LSF Shrouds , Earth Tags , Locknuts
 Also available on request in Stainless Steel (304 or 316L) & Aluminium (6082)
 Standards: EN 62444:2013 Cert No: ET/LVD/2018/1157



| Maser Gland Code | Gland Size Metric | Metric Thread "B" | Thread Length (mm) "C" | Min. Cable Diameter (mm) "A" | Max. Cable Diameter (mm) "A" |
|------------------|-------------------|-------------------|------------------------|------------------------------|------------------------------|
| MM-M25-14E | M25 | M25 | 12 | 9.00 | 14.00 |
| MM-M25-16E | M25 | M25 | 12 | 11.00 | 16.00 |
| MM-M25-18E | M25 | M25 | 12 | 13.00 | 18.00 |
| MM-M32-20E | M32 | M32 | 12 | 13.00 | 20.00 |
| MM-M32-25E | M32 | M32 | 12 | 18.00 | 25.00 |
| MM-M40-32E | M40 | M40 | 15 | 22.00 | 32.00 |
| MM-M50-35E | M50 | M50 | 15 | 27.00 | 35.00 |



Disclaimer: Although Maser Communications NZ Limited makes every reasonable effort to ensure their accuracy at the time of this publication, information and specifications described herein are subject to error or omission and to change without notice. Maser provides the information and specifications herein on an "AS IS" basis, with no representations or warranties, whether express, statutory or implied. In no event will Maser be liable for any damages (including consequential, indirect, incidental, special, punitive, or exemplary damages) whatsoever, even if Maser has been advised of the possibility of such damages, whether in an action under contract, negligence or any other theory, arising out of or in connection with the use, or inability to use, the information or specifications described herein.