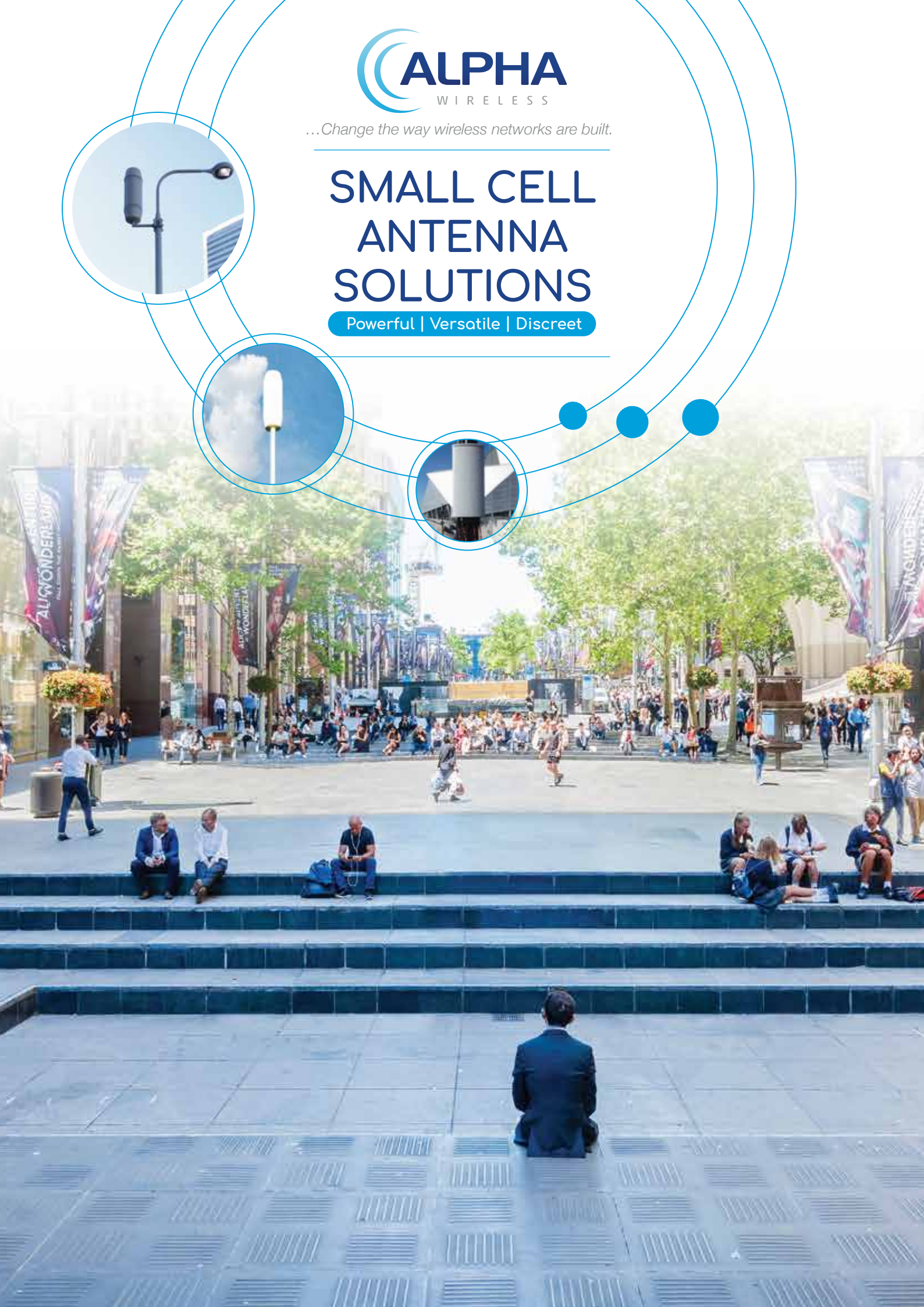




...Change the way wireless networks are built.

SMALL CELL ANTENNA SOLUTIONS

Powerful | Versatile | Discreet



OVERVIEW

+ As consumers' appetite for mobile connectivity and data soars, wireless network operators are seeing capacity pushed to its limits. In densely populated urban areas, where there is a higher concentration of demand and a lack of suitable cell sites, the problem is exacerbated.

At Alpha Wireless our ultra-compact, small cell antenna solutions are designed to help wireless network operators increase their capacity and coverage and solve this rising demand problem. They are multiport, multiband and have been designed and engineered to provide optimum power, low interference level and high capacity to areas where it is really needed while equally retaining their discreet form factor.

Latest small cell innovations:

High port count enables multiple operators

Low band capability options available down to 617 MHz

Licensed Assisted Access (LAA) and Citizens Broadband Radio Services (CBRS) with unlicensed 3.5 and 5 GHz bands covered

Fully integrated, all-in-one concealment antenna solutions reduce rent, backhaul and potentially power costs

Low visual impact solutions #VisuallyAmbient

Versatile mounting options available – wall, pole, roof, vertical structures

Our small cell antenna family can be easily approved by the most unyielding municipal zoning and permitting authorities, often saving months in deployment time. They cover a wide variety of applications and deployment scenarios and deliver affordable capacity to urban and rural areas.



ALPHA WIRELESS OUTDOOR SMALL CELL ANTENNA SOLUTIONS

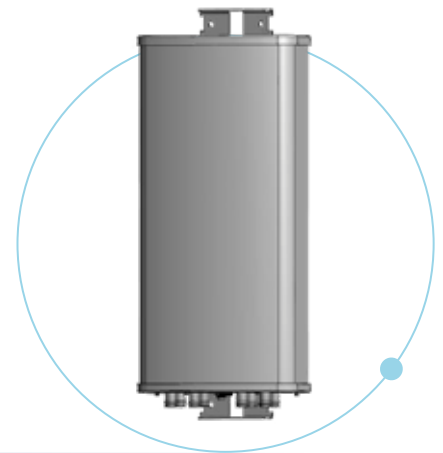
SMALL CELL PANEL ANTENNAS

AW3639

- The original Alpha Wireless Multiport / Multiband.
- 65° Azimuth, 8 port panel eRET antenna.

1695 - 2690MHz	3400 - 3800MHz	5150 - 5925MHz
4 ports	2 ports	2 ports

- Low visual impact with small compact form.
- Length 610mm (24") x Width 280mm (11") x Depth 120mm (4.7").
- Versatile mounting options - wall/pole/vertical structures.
- eRET (electronic tilt using AISG controller) tilt range on Mid-band T2-T10.



AW3690

- Multiport / Multiband with 65° Azimuth, 10 port MET panel antenna.

1695 - 2690MHz	3400 - 3800MHz	5150 - 5925MHz
4 ports	4 ports	2 ports

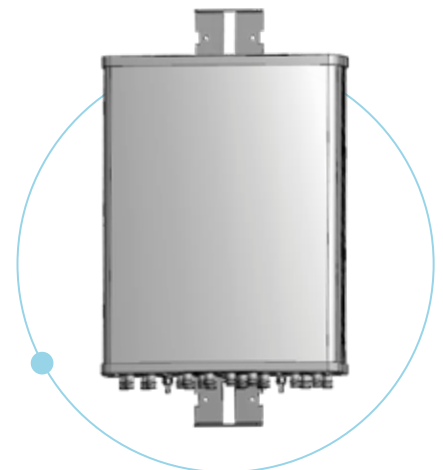
- Low visual impact with small compact form.
- Length 610mm (24") x Width 280mm (11") x Depth 120mm (4.7").
- Versatile mounting options - wall/pole/vertical structures.
- MET (mechanical tilt adjusted by hand) tilt range on Mid-band T2-T10.

AW3689

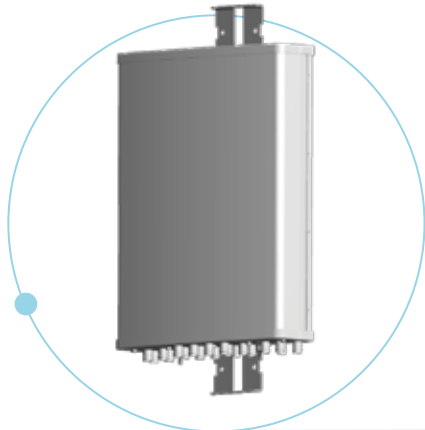
- Multiport / Multiband with 65° Azimuth, 20 port MET panel antenna.

1695 - 2690MHz	3400 - 3800MHz	5150 - 5925MHz
8 ports	8 ports	4 ports

- Suited for high port count and low visual impact.
- Length 610mm (24") x Width 470mm (18.5") x Depth 125mm (4.9").
- Versatile mounting options - wall/pole/vertical structures.
- MET (mechanical tilt adjusted by hand) tilt range on Mid-band T2-T10.



AW3724



Multiport / Multiband with 65° Azimuth, 18 port MET panel antenna. •

617 - 894MHz	1695 - 2690MHz	3400 - 3800MHz	5150 - 5925MHz
4 ports	8 ports	4 ports	2 ports

Compact design for low visual impact. •

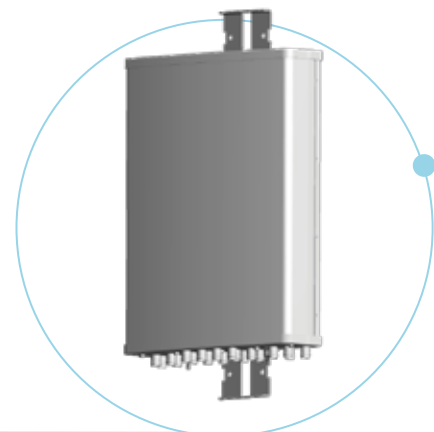
- Length 610mm (24") x Width 508mm (20") x Depth 170mm (6.7"). •
- MET (mechanical tilt adjusted by hand) tilt range on Mid-band T2-T10. •
- Fixed Tilt on Low band, CBRS and LAA are fixed tilt. •
- Versatile mounting options - wall/pole/vertical structures. •

AW3725

Multiport / Multiband with 65° Azimuth, 24 port MET/eRET panel antenna. •

617 - 894MHz	1695 - 2690MHz	3400 - 3800MHz	5150 - 5925MHz
4 ports	8 ports	8 ports	4 ports

- Compact design for low visual impact. •
- Length 1219mm (48") x Width 508mm (20") x Depth 170mm (6.7"). •
- MET / eRET options on Mid-band tilt range T2-T10. •
- Fixed Tilt on Low band, CBRS and LAA are fixed tilt. •
- Versatile mounting options - wall/pole/vertical structures. •



SMALL CELL OMNI DIRECTIONAL ANTENNAS



AW3691

Multiport / Multiband with 360° Azimuth, 10 port Omni antenna. •

1695 - 2690MHz	3400 - 3800MHz	5150 - 5925MHz
4 ports	4 ports	2 ports

- Low visual impact with small compact form. •
- Length 610mm (24") x Width 370mm (14.6"). •
- MET (mechanical tilt adjusted by hand) tilt range on Mid-band T2-T10. •
- Versatile mounting options - wall/pole/vertical structures. •

AW3658 (rCAN)

- Concealed Antenna Node with 360° Azimuth, 4 port Omni antenna. •
- Comprises Radio Housing, Omni antenna and Electrical Distribution Box. •

2496 - 2690MHz

4 ports

- Less than 1 metre in height. Meets FCC OTARD requirements for rooftop deployments. •
- Length 976mm (38.4") x Width 518mm (20.4"). •
- Quick and easy to deploy. •
- Fixed Tilt. •
- Fan assisted cooling of radio equipment. •
- Versatile mounting options - wall/pole/vertical structures. •



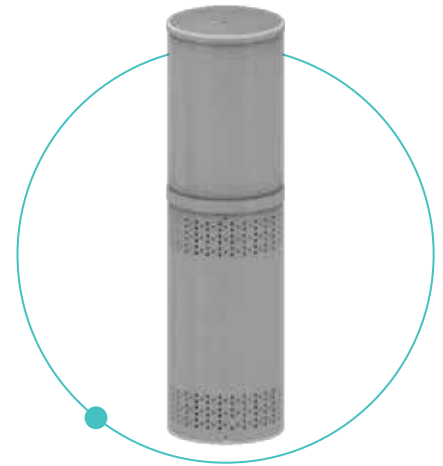
AW3695 (700MHz CAN)

- Concealed Antenna Node with 360° Azimuth, 2 port Omni antenna.
- Comprised of Radio Housing, Omni antenna and Electrical Distribution Box.

703 - 803MHz

2 ports

- Visually attractive housing.
- Length 1320mm (52") x width 360mm (14.2").
- Integrated solution that facilitates zoning and deployment requirements.
- Fixed Tilt.
- Passive cooling.
- Versatile mounting options - wall/pole/vertical structures.



AW3698 (Multi-band CAN)

- Concealed Antenna Node with 360° Azimuth, 10 port Omni antenna.
- Comprised of Radio Housing, Omni antenna and Electrical Distribution Box.

1695 - 2690MHz

4 ports

3400 - 3800MHz

4 ports

5150 - 5925MHz

2 ports

- Visually attractive housing.
- Length 996mm (39.2") x Width 443mm (17.4").
- Integrated solution that facilitates zoning and deployment requirements.
- MET (mechanical tilt adjusted by hand) tilt range on Mid-band T2-T10.
- Passive cooling.
- Versatile mounting options - wall/pole/vertical structures.



SMALL CELL BI-DIRECTIONAL ANTENNA

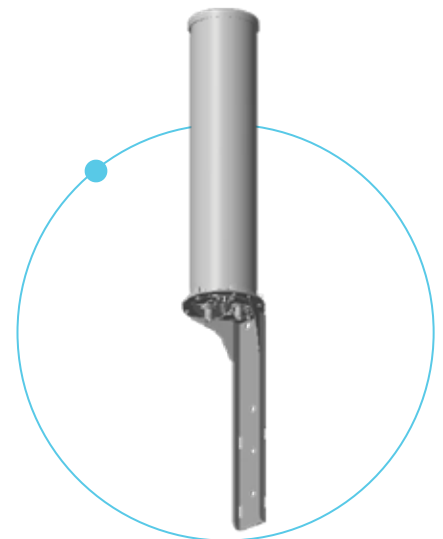
AW3675

- Back to back bi-directional antenna – 65° Azimuth in two directions.

2496 - 2690MHz

2 ports

- Azimuth adjust of +/-30° - RF planner can direct signals left and right by +/-30° to allow fine tuning of RF signal paths.
- Small compact form.
- Length 751mm (29.5") x Width 168mm (6.6").
- MET (mechanical elevation tilt adjusted by hand) 0 – 14°.
- Versatile mounting options - wall/pole/vertical structures.



SMALL CELL ANTENNA PRODUCT SUMMARY

		Frequency	Ports	Tilt	Gain	Beamwidth
+	AW3088	2300-2700MHz	2	Fixed	11.0	360°
+	AW3089	3300-3800MHz	2	Fixed	11.0	360°
+	AW3348	2496-2690MHz	2	Fixed	12.5	65°
+	AW3372	3300-3800MHz	2	Fixed	12.5	65°
+	AW3373	3300-3800MHz	2	Fixed	11.0	90°
+	AW3374	3400-3800MHz	2	Fixed	7.0	360°
+	AW3387	1710 - 2690MHz	2	Fixed	12.5	65°
+	AW3388	1710 - 2690MHz	2	Fixed	6.7	360°
+	AW3397	1710 - 2690MHz	4	Fixed	12.2/ 12.7	65°
+	AW3398	1710-2690MHz	4	Fixed	6.6/ 6.9	360°
+	AW3477-S1-G	2496-2690MHz	2	MET	8.5	360°
+	AW3499	3400-3800MHz	4	Fixed	6.5	360°
+	AW3613-S1-G	2496-2690MHz	4	MET	8.5	360°
+	AW3625	3300-3800MHz	2	MET	8.5	360°
+	AW3639	1695-2690/3400 -3800/5150-5925MHz	8	eRET	14/ 11/5	65°
+	AW3658	2496-2690MHz	4	Fixed	8.2	360°
+	AW3672	3400-3800MHz	4	MET	8.5	360°
+	AW3675	2496-2690Mhz	2	MET	11.5	65°
+	AW3689	1695-2690/3400 -3800/5150-5925MHz	20	MET	14/ 11/6	65°
+	AW3690	1695-2690/3400 -3800/5150-5925MHz	10	MET	14/ 10/6	65°
+	AW3691	1695-2690/3400 -3800/5150-5925MHz	10	MET	8/ 5/5	360°
+	AW3695	703-803MHz	2	Fixed	7	360°
+	AW3698	1695-2690/3400 -3800/5150-5925MHz	10	MET	8/ 7/5	360°
+	AW3724	617-894/1695-2690/ 3400-3800/5150-5925MHz	18	MET	11/6	65°
+	AW3725	617-894/1695-2690/ 3400-3800/5150-5925MHz	24	eRET/ MET	7/14 /11/6	65°
+	AW3675	2490-2690MHz	4	MET	11.2	65°

WHY CHOOSE ALPHA WIRELESS?

- + An Irish company, Alpha Wireless is a market-leading specialist in designing and manufacturing high performing, superior quality antenna solutions.

We work closely with network operators, neutral hosts, OEMs and WISPs to design and engineer Small Cell Solutions that help build a robust, cost effective wireless network that is future-ready,
#5G - OurFutureTransformed.

With the need for higher data capacity coupled with more stringent approval processes, existing models of network deployment are becoming increasingly difficult to deploy. Alpha Wireless is addressing this by... Changing the way wireless networks are built.

Our reputation has been built on three guiding principles:

INNOVATION

Market-leading, world-first, game-changing – this is what Alpha Wireless is determined to be. Our ability to innovate sets us apart and means that we are the first out of the starting block. We're not just about responding to current problems, we are committed to anticipating the future challenges and requirements of the wireless industry so that we can lead the way with solutions.

AGILITY

Alpha Wireless has a deep understanding that one size does not necessarily fit all. Each of our customers is unique, and it is important to provide solutions that fit their individual needs. Flexibility is at the heart of our customer service philosophy, so we do not try to fit our clients into a box – instead, we create a box that suits them and adapt to their requirements.

RESPONSIVENESS

We're in the wireless industry, so it should not be a surprise that speed is a major priority. Building strong relationships that enable us to provide fast and efficient solutions with minimal fuss is what brings Alpha Wireless customers back again and again.



CONTACT US

Australia

Maser

Unit 9, 15B Rodborough Road, PO Box 6298, Frenchs Forest, DC NSW 2086 Australia.

E: info@maser.com.au

P: +61 2 9452 6062

Europe

Ashgrove Business Centre, Ballybrittas, Portlaoise, Co. Laois, R32 DT0A, Ireland.

E: sales@alphawireless.com

T: +353 57 8633847

US

11322 W 79th Street, Lenexa, KS 66214, USA

E: sales@alphawireless.com

T: +1 913 279 0008

Find out more at alphawireless.com

© Alpha Wireless 2019